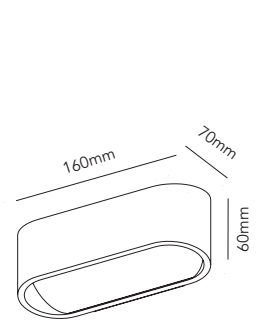


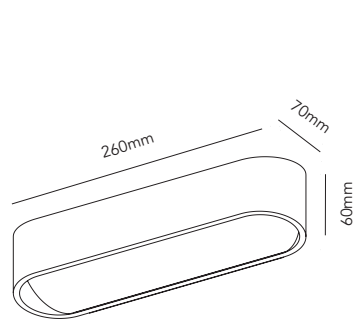


AURA

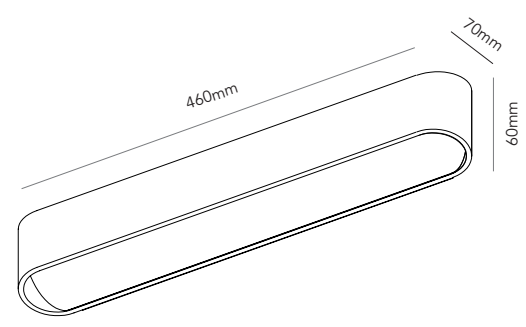
Design: Nital Patel



AURA W1



AURA W2



AURA W3

AURA - 2700/3000K SWITCH

Design: Nital Patel

LIGHT·POINT
C O P E N H A G E N

ART. NAME	AURA W1	AURA W2	AURA W3
Art. no. white	270960	270970	270980
Art. no. black	270961	270971	270981
Art. no. rose gold	270962	270972	270982
Art. no. titanium	270963	270973	270983
Art. no. brass	270964	270974	270984
EAN white	5711389709600	5711389709709	5711389709808
EAN black	5711389709617	5711389709716	5711389709815
EAN rose gold	5711389709624	5711389709723	5711389709822
EAN titanium	5711389709631	5711389709730	5711389709839
EAN brass	5711389709648	5711389709747	5711389709846
Material	Aluminium	Aluminium	Aluminium
Light source	Edison	Edison	Edison
Lifetime	50.000	50.000	50.000
Number of light sources	1	1	1
Electronical gear	N/A	N/A	N/A
Driver watt	N/A	N/A	N/A
Light source watt	6	15	18
System watt	6	15	18
Voltage	220-240V	220-240V	220-240V
Dimmable	Yes	Yes	Yes
Lumen output	660 (nominal)	1540 (nominal)	1980 (nominal)
Lumen pr. watt	110	110	110
Flux	N/A	N/A	N/A
CCT (K)	2700/3000	2700/3000	2700/3000
RA/CRI	>90	>90	>90
Mac Adam	6	6	6
Light distribution	N/A	N/A	N/A
Beam angle	N/A	N/A	N/A
Tilt angle	N/A	N/A	N/A
Cutout mm.	N/A	N/A	N/A
Rotation	N/A	N/A	N/A
Looping	Yes	Yes	Yes